

T ECHNICAL INFORMATION



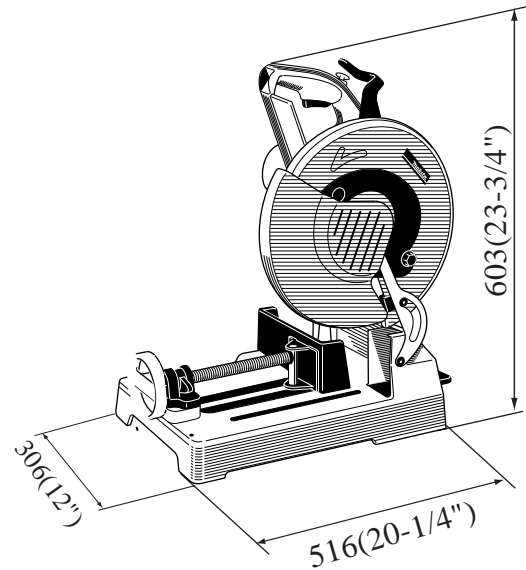
New Tool

Models No. ▶ LC1230

Description ▶ Portable Cut Off 305mm

CONCEPTION AND MAIN APPLICATIONS

1. No tools are required for adjustment of the angle of the fence.
Angle adjustment of the fence can be made by loosening the lever.
2. With Quick vise
3. Aluminium base
4. Dust tray can be dismantled from the machine.
5. Chip saw blade 305mm
6. Carrying handle
7. Shaft Lock
8. Anti-Vibration for chip saw, for decrease the noise during the work, and it contributes to saving of the life of saw blade.



► Specifications

Voltage (V)	Current (A)	Cycle (Hz)	Continuous Rating (W)		Max. Output(W)
			Input	Output	
115	15.0	50/60	1650	950	2000
220	8.4	50/60	1750	1000	2700
230	8.0	50/60	1750	1000	2700
240	7.7	50/60	1750	1000	2700

No Load Speed		1300rpm
Blade diameter		305mm(12")
Arbor diameter		25.4mm(1")
Max. cutting capacities	90°	150x75mm(5-7/8"x2-15/16")
		100x100mm(3-15/16"x3-15/16")
	45°	ø115mm(4-1/2")
		85x85mm(3-5/16"x3-5/16")
Net weight		19kg(41.9 lbs)
Power supply cord		2.5m(8.2 ft)

► Standard equipment

- Socket Wrench 17----- 1 pc.
- Safety Goggle----- 1 pc.
- Switch Button(as s spare) ----- 1 pc.
- T. C. T. Saw Blade(for U.S. A. and Canada)--- 1 pc.

► Optional accessories

- T. C. T. Saw Blade(for thinner mild steel)
- T. C. T. Saw Blade(for mild steel(noiseless steel))
- T. C. T. Saw Blade(for stainless steel)

► Repair

Greasing

The movable parts and the ones contacting with the movable parts have to be greased before mounting.

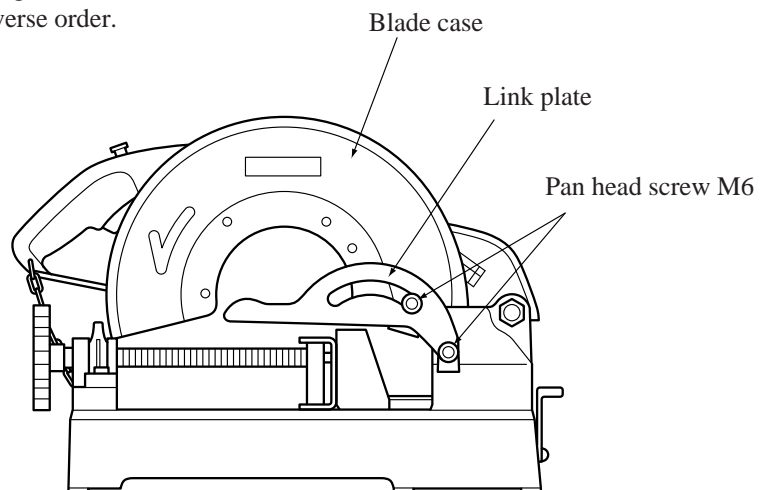
Dismounting of blade case, and gear housing R

Chip saw blade and safety cover have to be taken away.

1. Down the motor unit (motor housing and blade case) to the base, and lock it with the chain on the hanger of handle.
2. Dismount the link plate after taking off the pan head screw M6.
3. Dismount the blade case, and then gear housing R.

Mounting of blade case and gear housing R

Carry out the above process in the inverse order.

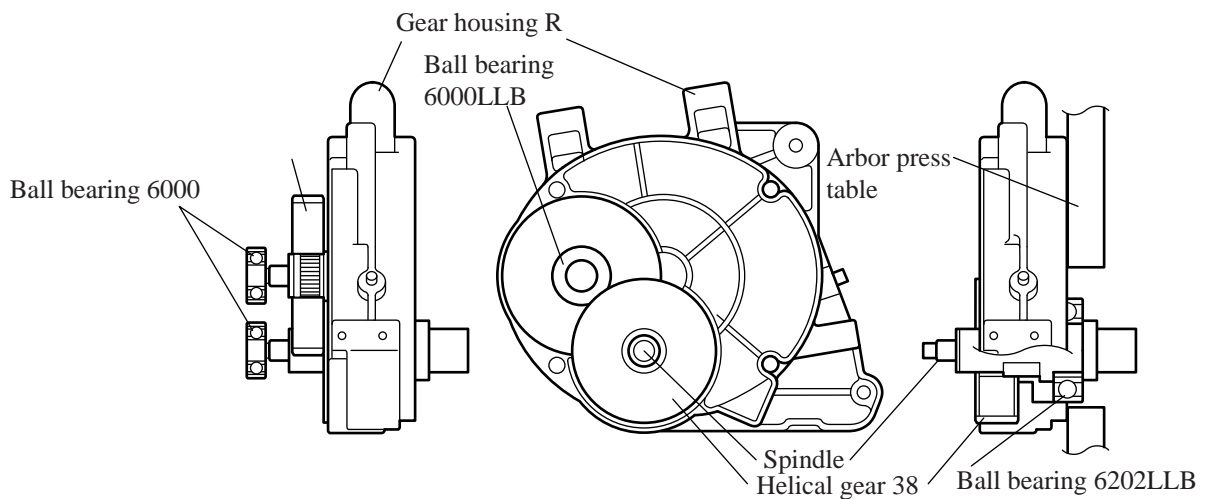


Dismounting of gear

1. Take off 2 ball bearings 6000 from the gear housing R.
2. Take off gear complete 16-44 from the gear housing R. However the ball bearing 6000LLB remains in the gear housing R.
3. Put the gear housing R on the U-cut part of arbor press table, and press the spindle with the arbor press. Then the spindle and ball bearing 6202LLB can be dismounted from the gear housing R.
4. Take off the ball bearing 6000LLB from the gear housing R.

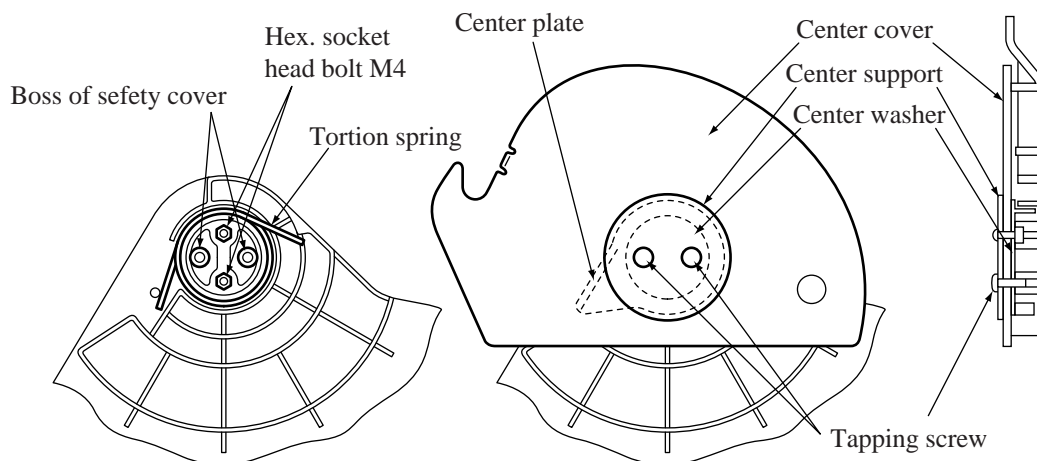
Mounting of gear

Carry out the above process in the inverse order



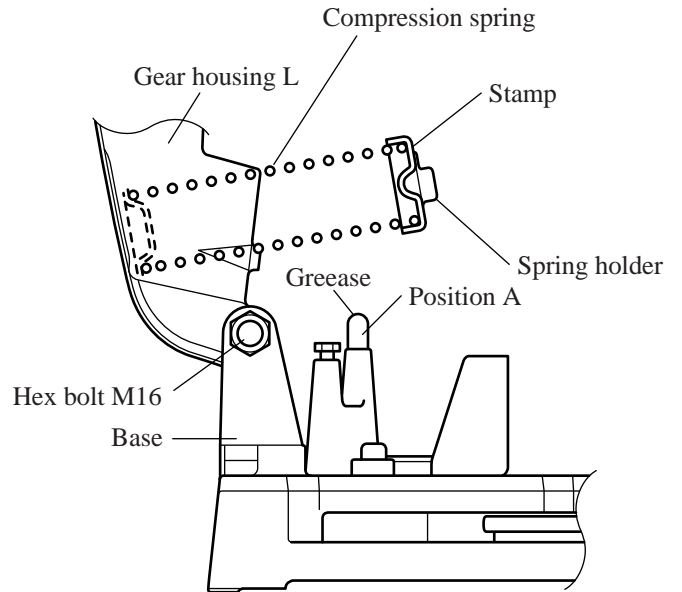
Mounting of safety cover

1. Insert the hex socket head M4 into the hole on the safety cover and mount the torsion spring on the place illustrated below.
2. Mount the center plate adjusting its holes with hex socket head bolt M4 and the boss on the safety cover.
3. Fasten center washer, center cover and center support on the place illustrated below, with tapping screw.



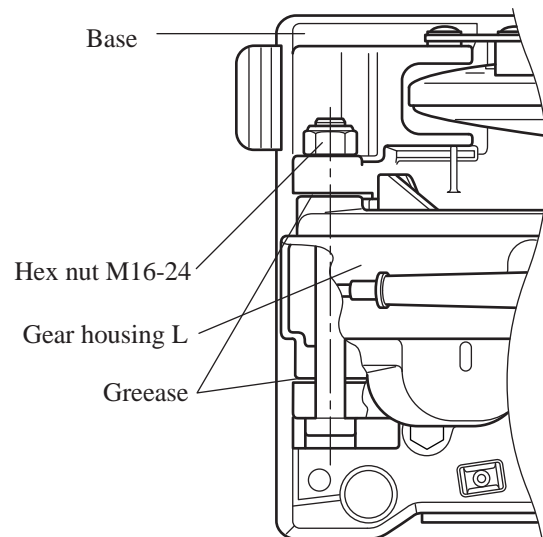
Mounting of compression spring

1. Mount end of the compression spring in the gear housing L after standing the gear housing L as illustrated left.
2. Mount the another end of compression spring on the spring holder. In this process the stamp on the spring holder has to come on the upper side in view of operating position.
3. Mount the spring holder on the position A greased with MAKITA Grease No.1, pressing the compression spring.



Adjust of base and gear housing L

1. Adjust with the hex nut M16-24 for smooth moving of motor unit (motor housing and blade case) without swinging to left and right.
2. Mount the gear housing L on the base, greasing the contact place with MAKITA Grease No.1



Dismounting of handle and switch unit

Handle set is fastened on the gear housing L with 6 screws as follows.

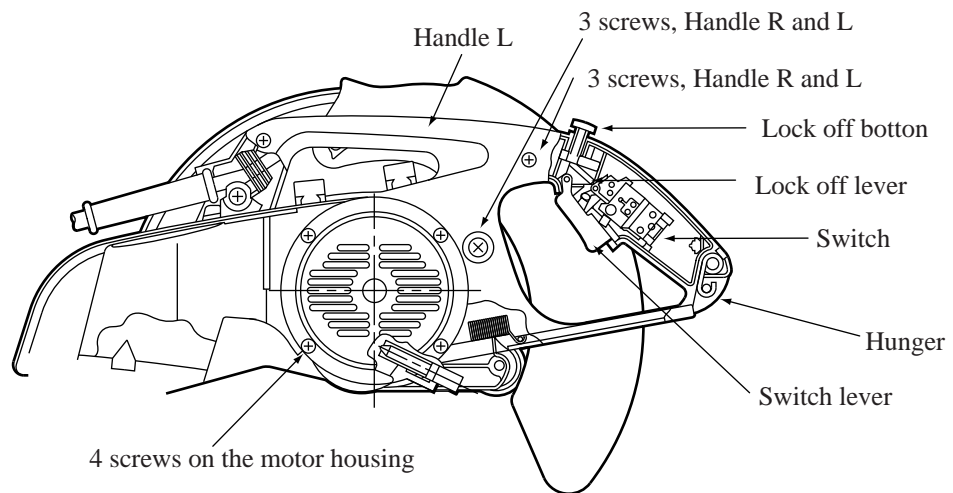
-with 3 screws, Handle R and L

-with another 3 screws, Handle set and Gear Housing L

1. Dismount the handle L, by taking off these 6 screws. Construction of the switch unit is as illustrated below.
2. Dismount the motor housing. (The handle R can not be dismantled without taking off the motor housing.
And please refer to the following "Dismounting of motor unit")
3. Dismount the handle R.

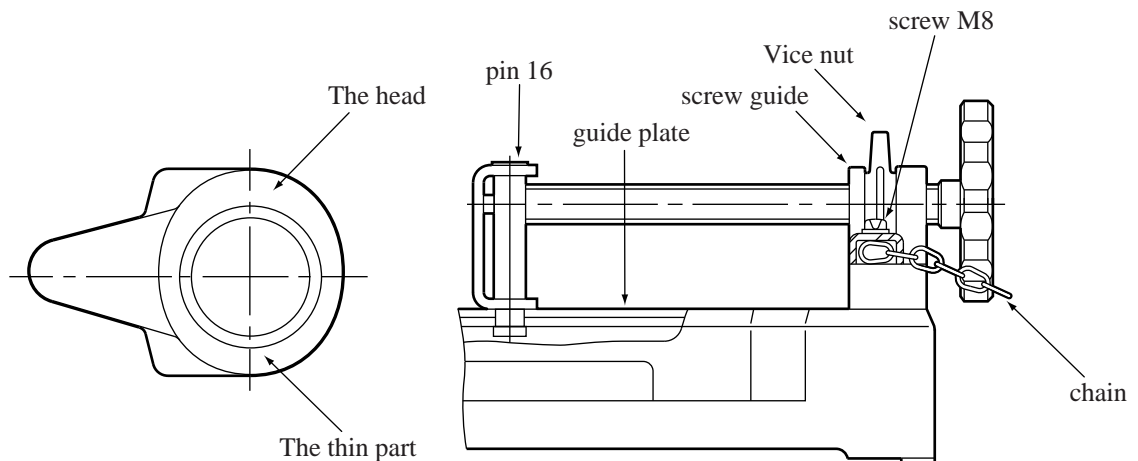
Dismounting of motor unit

1. Take off 2 carbon brushes.
2. Take off the 4 screws on the motor housing and 3 screws on the handle.
3. The motor housing with handle can be dismantled from the gear housing L.
4. Armature can be dismantled from the motor housing.



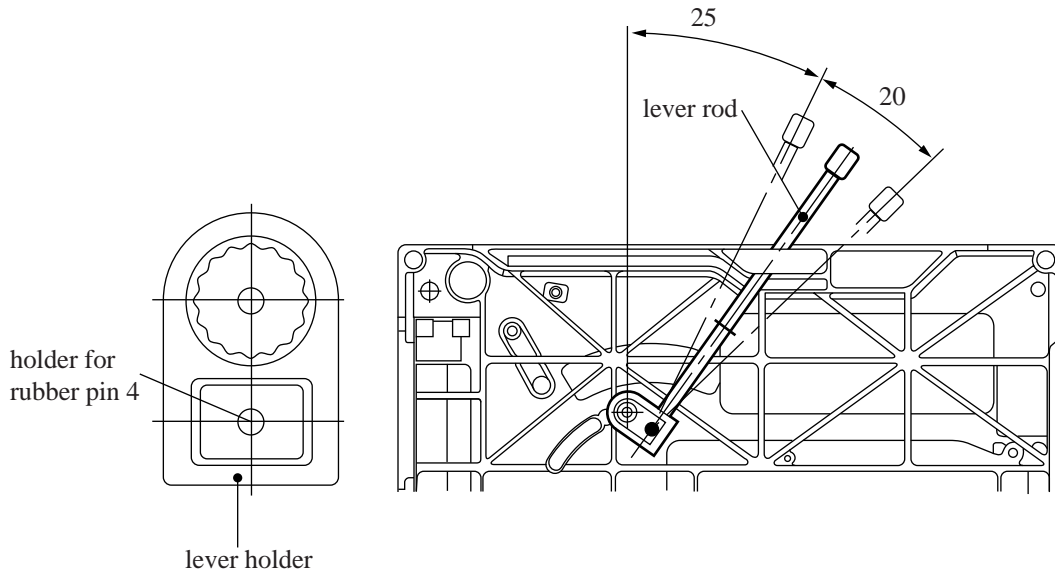
Mounting of vise

1. In view of operator, vise nut has to be mounted in the following conditions.
 - The head, left side.
 - The thin part, below.
2. Mount the pin 16 in the groove part of guide plate.
3. Install one of the chain ring between the screw guide and the base as illustrated below.
4. Fasten the screw guide on the base with the screws.



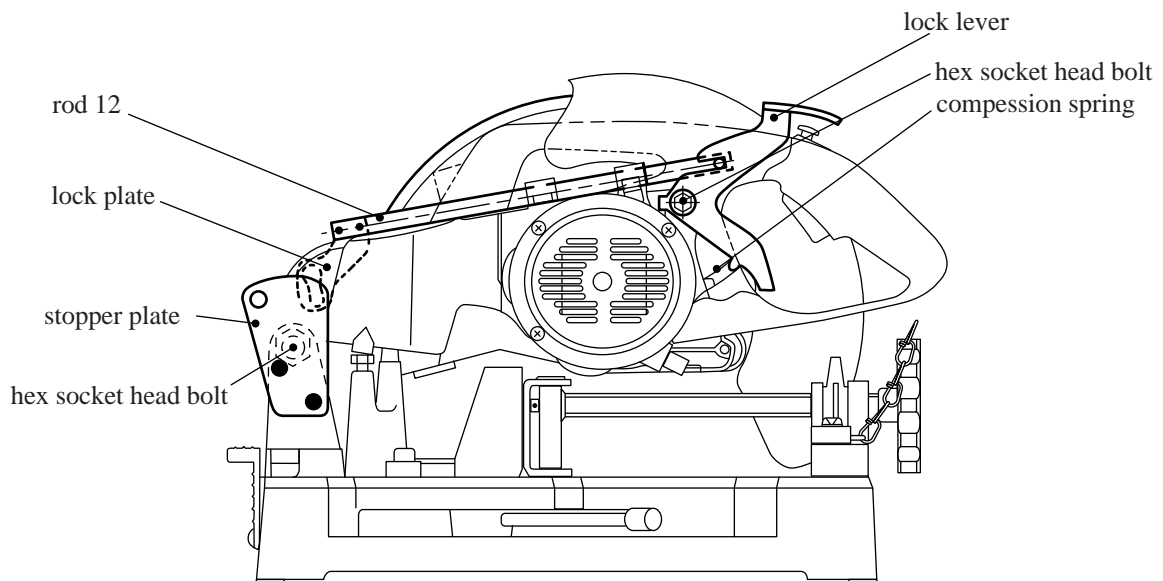
Mounting of lever rod 10

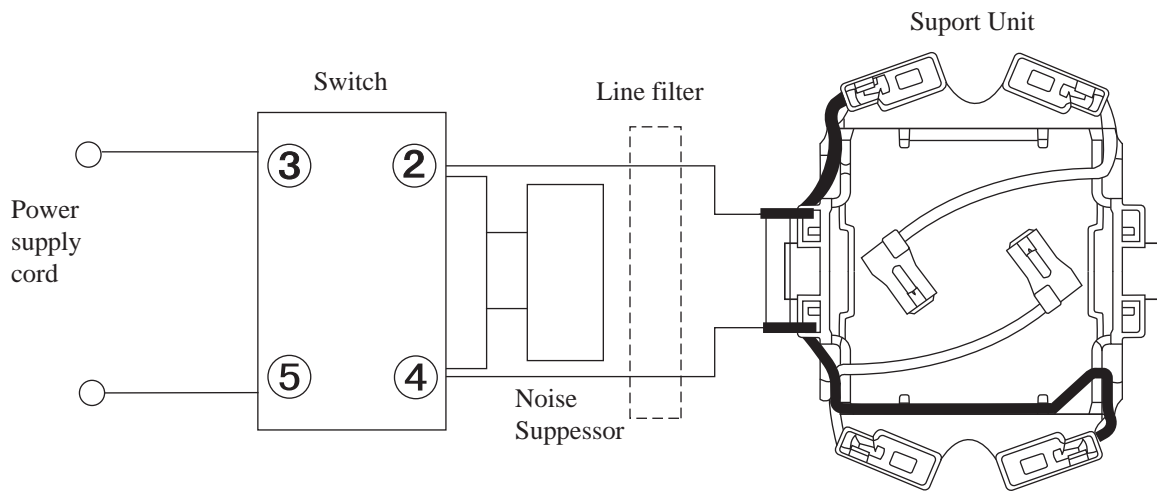
1. Install rubber pin 4 on the lever holder as for as it will go.
2. Fastening torque for hex nut M10-17 must be 450kgfcm with torque wrench 1R223, ratchet head 1R224 and 17mm1. Adjust box wrench.
3. Install the lever rod 10 in the area illustrated below.



Adjusting for LC1230 with safety lock system

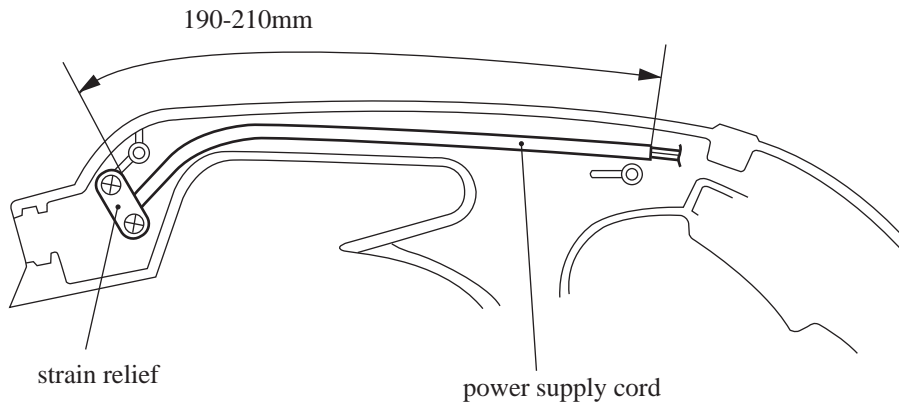
1. Adjust with hex bolt M6x16 so that the lock lever can return to the lock point from the every working position smoothly.
2. Fastening torque for hex socket head bolt must be 80kgfcm.



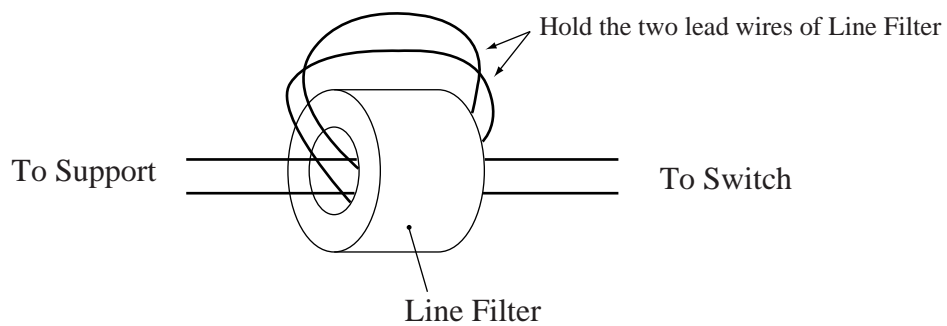


In some areas, noise suppressor and line filter are not used.

Fix power supply cord as below.



Hold the two lead wires of Line Filter and
Put Line Filter on the position indicated below



the position of Line Filter

